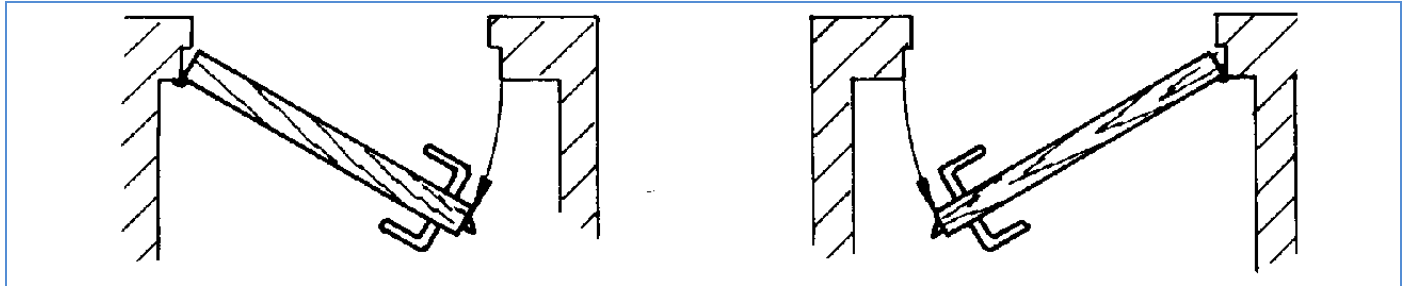




### Standard European (DIN) Handing for Mortise Locks and Swinging Doors:

**OUTSIDE**



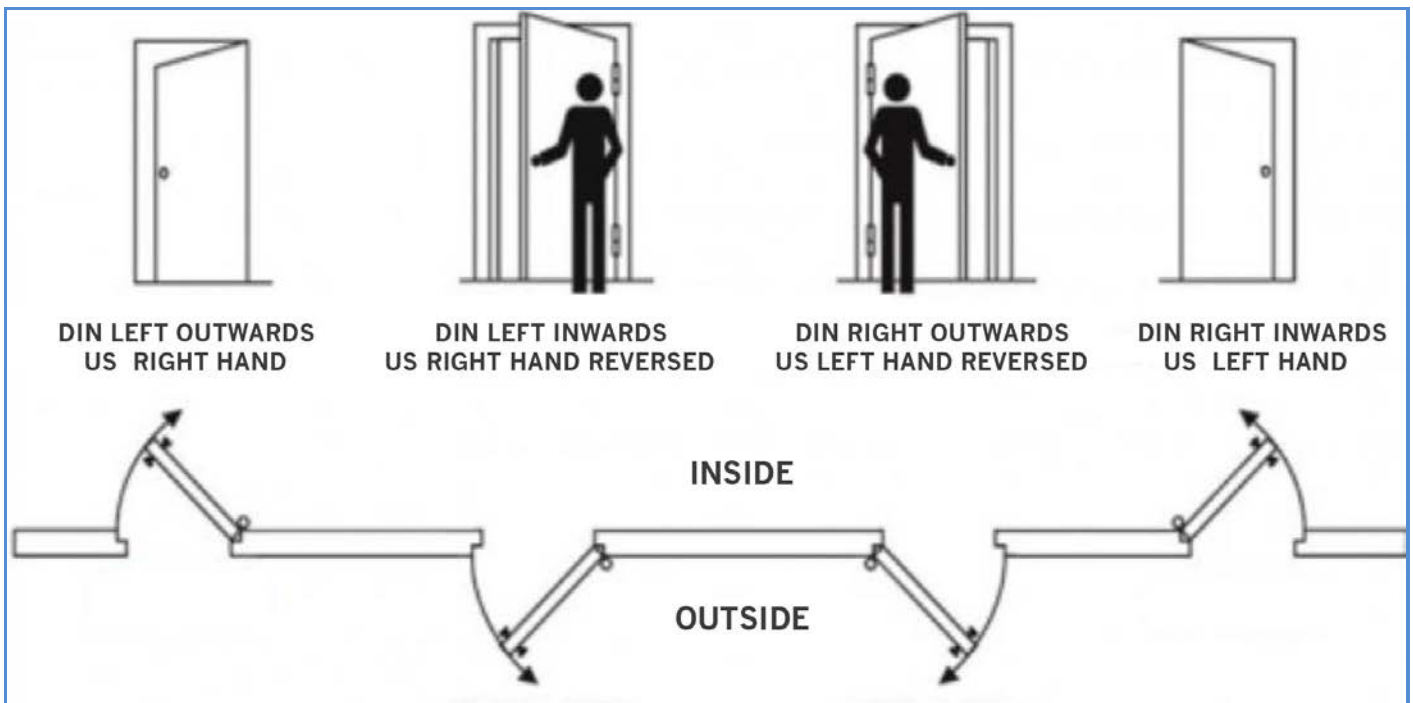
**DIN LEFT HAND**

**INSIDE**

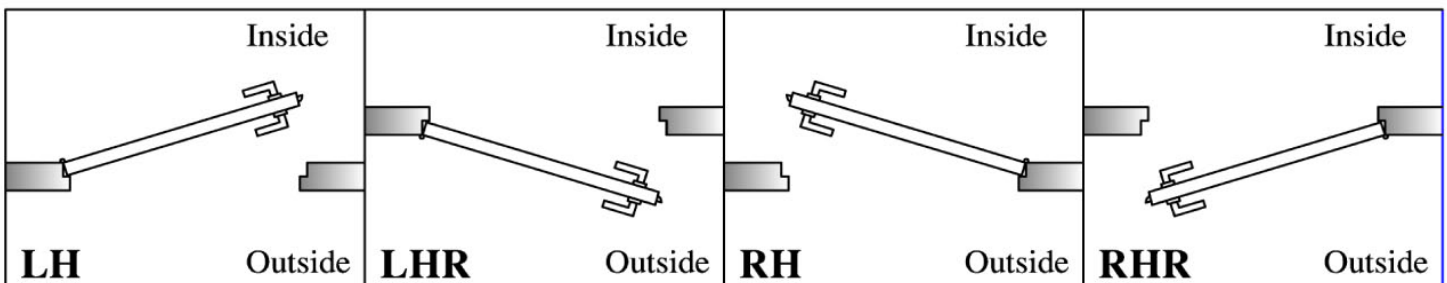
**DIN RIGHT HAND**

The DIN Standard applies to most Mega Yachts Door Schedules.

### Handing Door Schedules for: Residential European (DIN) and Residential American (US) Swinging Door the following schedule applies, showing DIN Standard and US Standard:

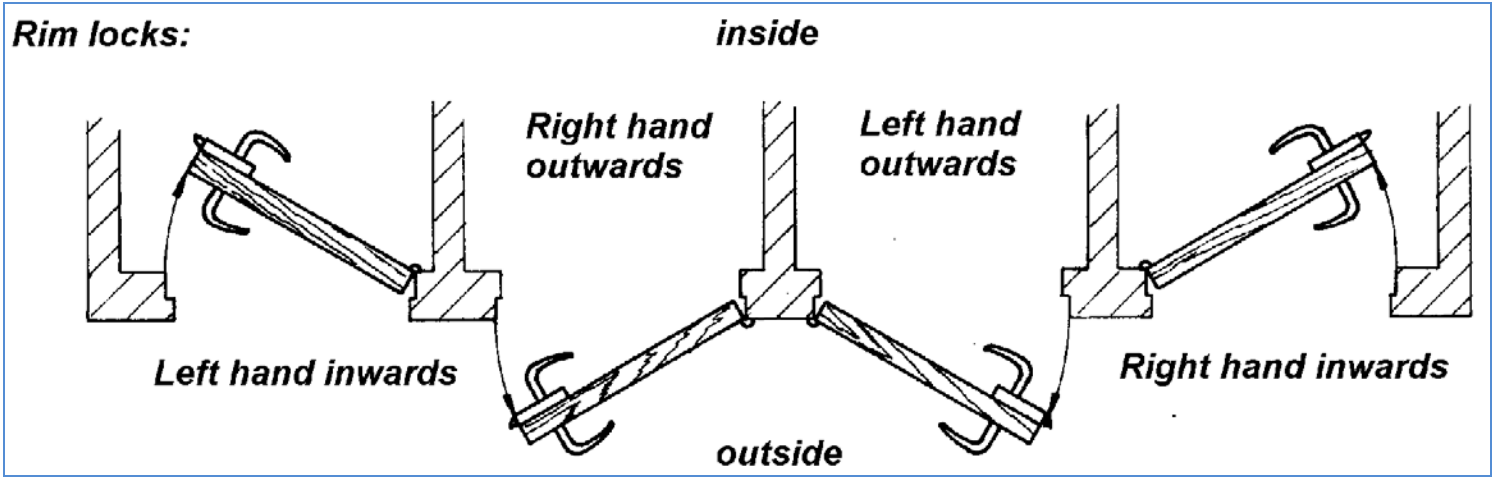


### Standard US Handing schedule:

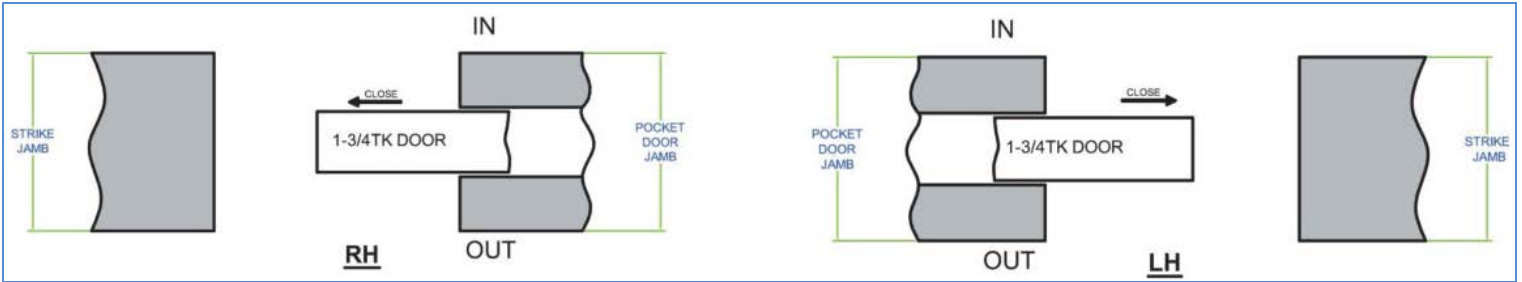




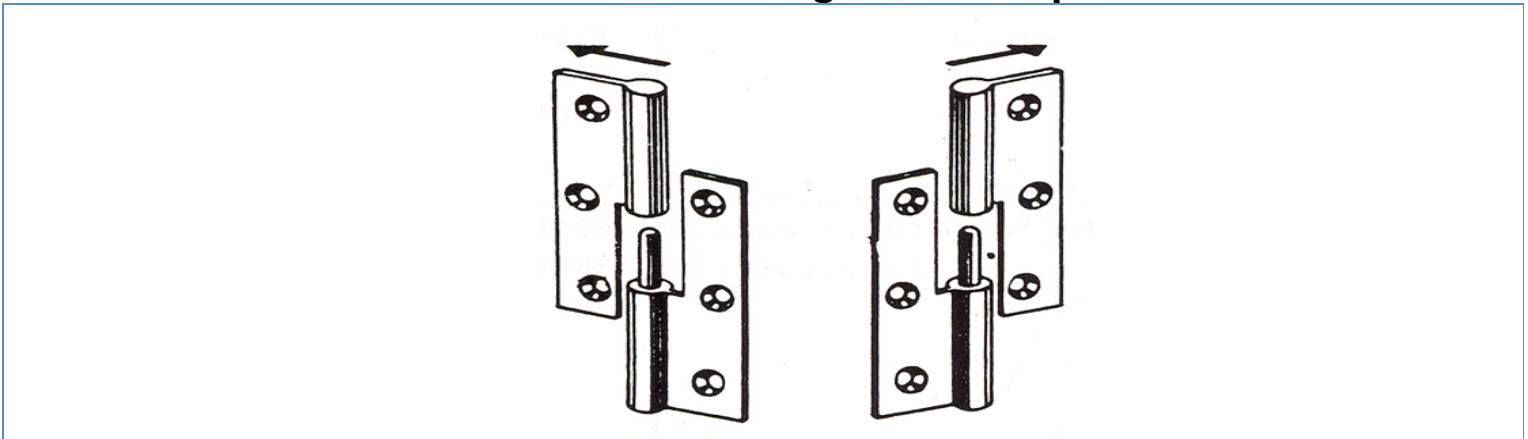
### HANDING OF RIM MOUNTED LOCKS EUROPEAN DIN STANDARD:



### HANDING OF POCKET DOORS US STANDARD:

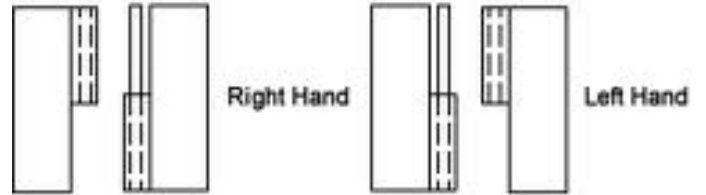
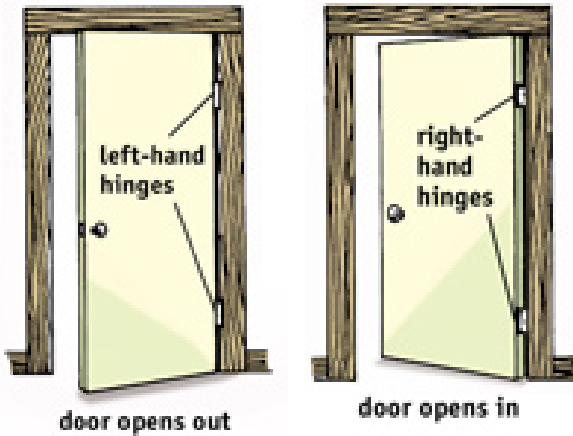


### HANDING of LIFT OFF HINGES according to the European DIN Standard:





### Standard US Hinges Handing



### Handing For Standard US Butt Hinges and Lift Off Hinges (Slip Joint Hinges)

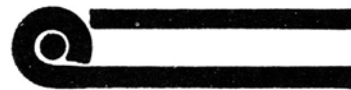


### Handicapped Code Full Away Swinging Hinges and Butt Hinge Installation

### Hinge Swaging



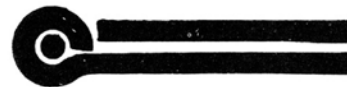
Hinge not swaged — figure 1



Hinge not swaged — figure 2



Hinge swaged (standard) — figure 3



Hinge swaged (standard) — figure 4


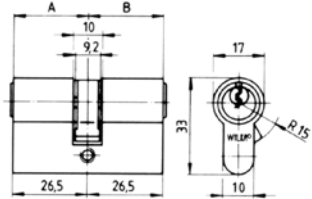


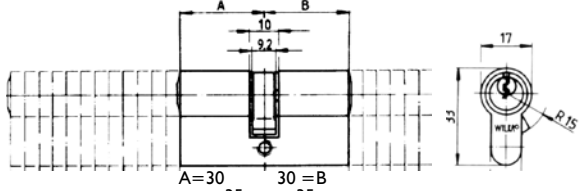
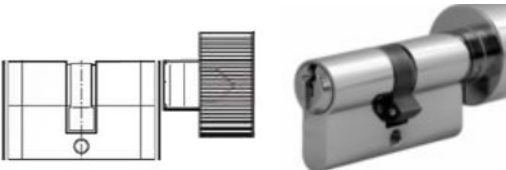
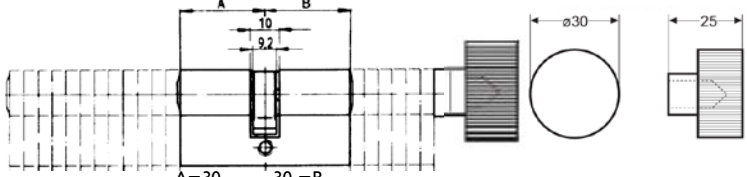


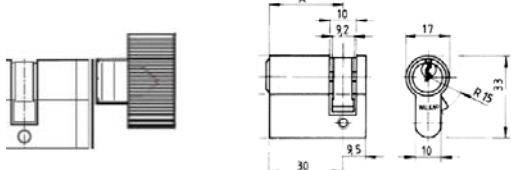






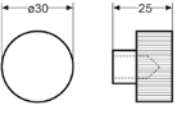

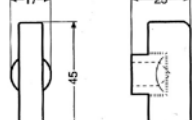





\*Hinge with one leaf swaged — figure 5



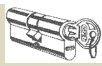
\*Hinge with one leaf swaged flat — figure 6



Order number		Material	Specifics	Finish	
 Picture Profile Cylinder key/key Series #05.488 Small: 53 mm overall length					
05.488.566	key/key	Brass	A= 26.5 mm B= 26.5 mm key-key; satin chrome		
05.488.266	key/key	Brass	A= 26.5 mm B= 26.5 mm key-key; polished chrome		
05.407.566	key/knob	Brass	A= 26.5 mm B= 26.5 mm key-knob; satin chrome		
05.407.266	key/knob	Brass	A= 26.5 mm B= 26.5 mm key-knob; polished chrome		
 Picture Profile Cylinder key/key series #05.400 62 MM OVERAL LENGTH UP TO 182 MM OVERAL LENGTH WITH INCREMENTS OF 5 MM ALSO AVAILABLE ACYMETRIC		 Key blanks #05.150 nickel	 A=30 B=30 35 35 40 40 45 45 50 50 UP TO 90 X 90 MM CUSTOM SIZES SPECIAL ORDER; UP TO 90 X 90 MM - CAN BE SPECIFIED ACYMETRIC		
05.400.566	key/key	Brass	A= 30 mm B= 30 mm key-key; satin chrome		
05.400.266	key/key	Brass	A= 30 mm B= 30 mm key-key; polished chrome		
 Picture: Profile Cylinder key/knob Series #05.405 Specify Knob (knob depicted: #05.502) 62 MM OVERAL LENGTH UP TO 182 MM OVERAL LENGTH NOT COUNTING THE KNOB WITH INCREMENTS OF 5 MM - ALSO ACYMETRIC			 A=30 B=30 35 35 40 40 45 45 50 50 UP TO 90 X 90 MM CUSTOM SIZES SPECIAL ORDER; UP TO 90 X 90 MM - CAN BE SPECIFIED ACYMETRIC		
05.405.566	key/knob	Brass	A= 30 mm B= 30 mm key-key; satin chrome		
05.405.266	key/knob	Brass	A= 30 mm B= 30 mm key-key; polished chrome		
 Half keyway #05.415 key/- UP TO 90 MM			 Half knob #05.416 knob/- special order	 Half keyway #05.415 key/- Half knob #05.416 knob/-	
05.415.566	Key/ - 30 - 0	Brass	A= 30 mm B= 0 mm key---; satin chrome		
05.415.266	Key/ - 30 - 0	Brass	A= 30 mm B= 0 mm key---; polished chrome		
05.416.566	Knob/ - 30 - 0	Brass	A= 30 mm B= 0 mm key---; satin chrome		
05.416.266	Knob/ - 30 - 0	Brass	A= 30 mm B= 0 mm key---; polished chrome		
 #05.502			 #05.602		
 #05.762			 #05.517		
 #09.P07			 #09.P05		
 #05.502			 #05.602		
 #05.762			 #05.008		
 #13.J454			 #13.J453		

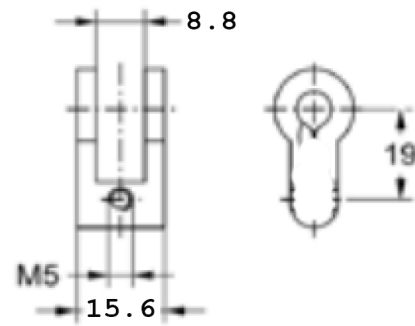


<p>Profile cylinder, 60 mm, privacy (slotted bolt/knob) Profile cylinder, 60 mm, privacy (slotted bolt/key)</p>		<p>A=30 mm slotted bolt B=30 mm key A=30 mm slotted bolt B=30 mm knob</p>
<p>05.489 05.487</p>	<p>Slotted bolt/key Slotted bolt/knob</p>	
<p>Escutcheon pair: #14.129.508 with 1 cylinder cover #05.599</p>	<p>#05.599 #05.5991 Profile cylinder covers, spring loaded.</p>	
<p>#05.599 Profile cylinder cover, spring loaded. 12 mm</p>	<p>#05.5991 Profile cylinder cover, spring loaded. 17 mm</p>	
<p>05.599.608 05.5991.606</p>	<p>PC cover 3 mm PC cover 8 mm</p>	<p>Stainless steel Stainless steel</p> <p>Overall sizes: 29 x 58 x 12 mm Overall sizes: 29 x 58 x 17 mm</p>
<p>Round Cylinders for small locks and cabinet locks</p>	<p>#05.590 Round key nickel</p>	<p>#21.73Z Cabinet rim lock with round cylinder see catalog page 2-1 See on line: <i>lzerwaren.com: Door hardware / Cabinet door hardware / Details marine slam latches / page 2-1.</i></p>
<p>05.522 05.525 05.530 05.535</p>	<p>round cylinder 22 mm round cylinder 25 mm round cylinder 30 mm round cylinder 35 mm</p>	<p>Brass/chrome Brass/chrome Brass/chrome Brass/chrome</p>



Izerwaren  
Order  
numbers

Profile Key Cylinder  
replacement inserts  
to change the function  
from Entry to Privacy  
(bathroom function)

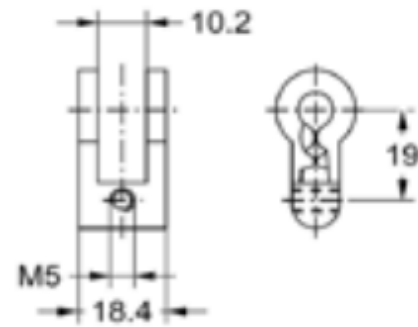


22.7000 Adapter for profile cylinder brass  
to thumb-turn / indicator  
with 7x7 mm spindle

#22.7000 Insert to replace profile cylinder key way with thumb-turn  
For privacy (toilet) set up with 7x7 mm spindle  
Brass casing with zinc follower



#14.73Z mortise lock  
with insert #22.7000.

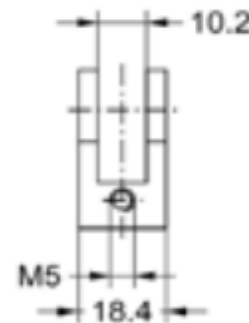


22.7423 Insert changes function to skeleton  
keyway

22.7423 Skeleton Key Insert replacing Profile Key Cylinder.  
Material: Zinc; interior grade



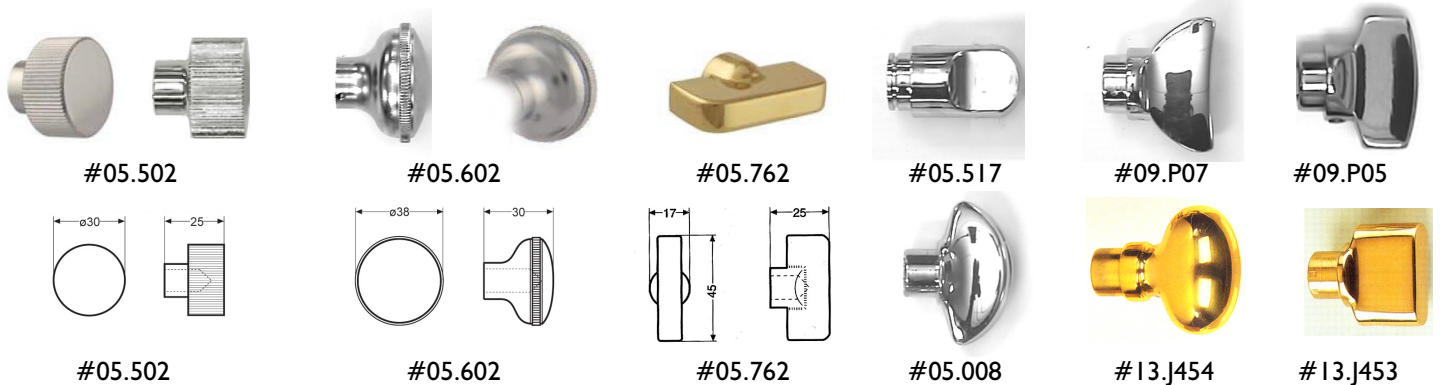
#13.31Z Stainless Steel Rim-lock  
with Thumb-turn  
See page 1-3-B for details



22.755 Adapter for Profile Cylinder  
To 6 x 6 mm spindle for  
Thumb-turn / indicator  
Stainless Steel  
For marine applications

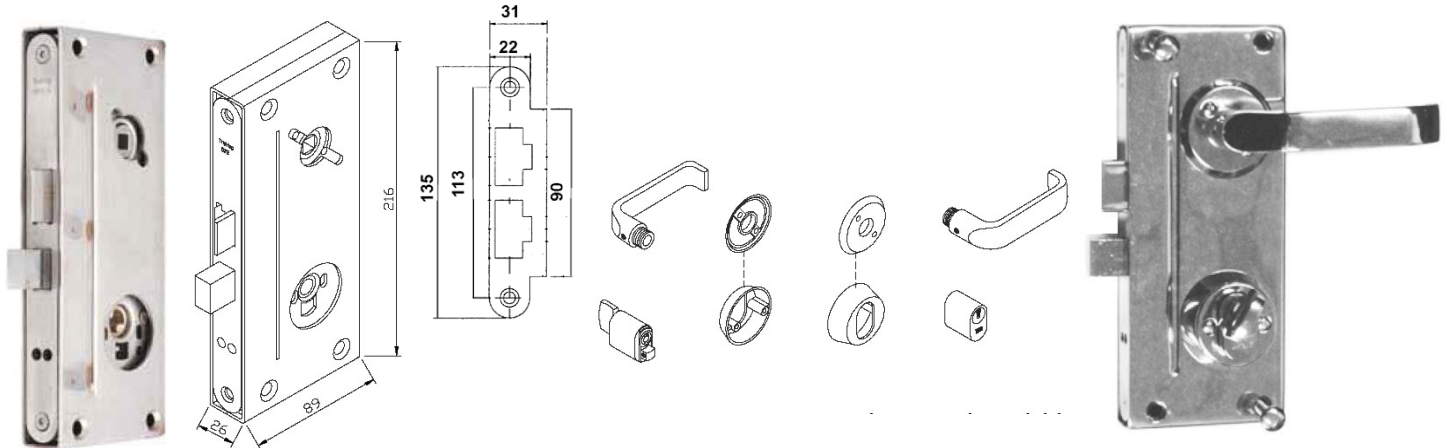
22.755 Profile Cylinder insert convert from Entry to Privacy  
With 6 x 6 mm spindle for thumb turn / indicator.  
Stainless Steel. For marine applications

**Thumb-turn designs available:**

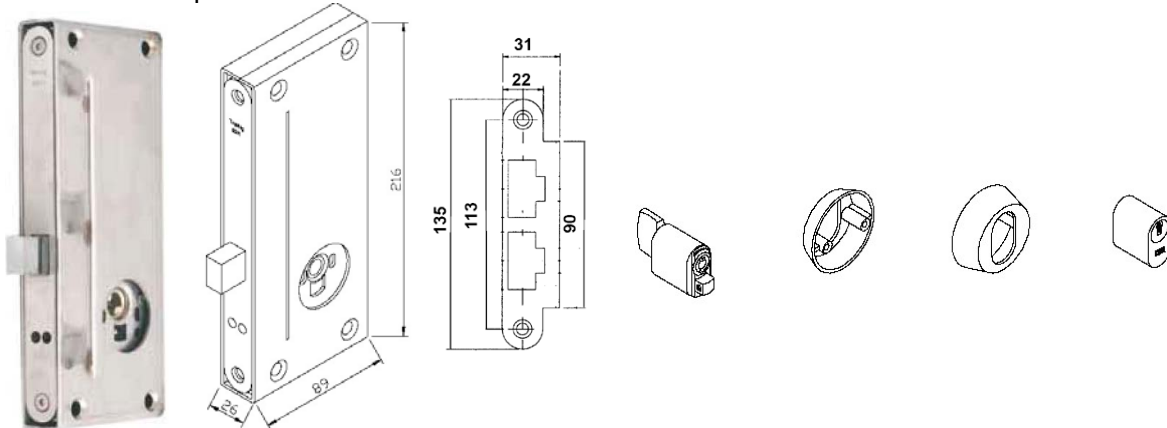




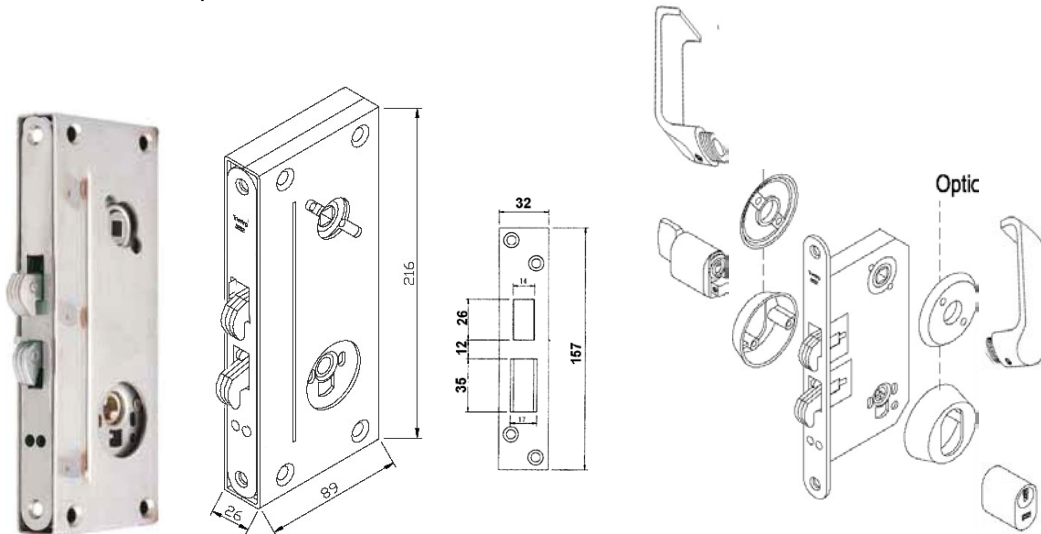
**EXTERIOR BOX SETS WITH DIMENSIONS IN MM**





#11.EBET01. Complete Rim Mounted Box Lock. Lock and Box Satin Stainless steel. Roses and Levers Satin Chrome Plated Brass.  
#11.EBET02. Complete Rim Mounted Box Lock. Lock and Box Polished Stainless steel. Roses and Levers Polished Chrome Plated.



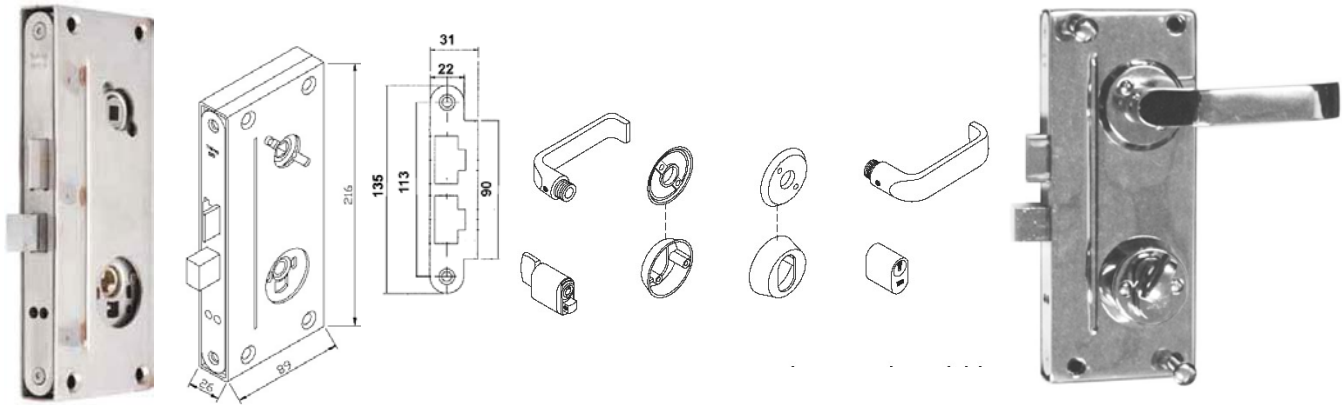
#11.BDRT01. Complete Rim Mounted Box Lock. Lock and Box Satin Stainless steel. Roses and Keyway Satin Chrome Plated Brass.  
#11.BDRT02. Complete Rim Mounted Box Lock. Lock and Box Polished Stainless steel. Roses and Keyway polished Chrome Plated.



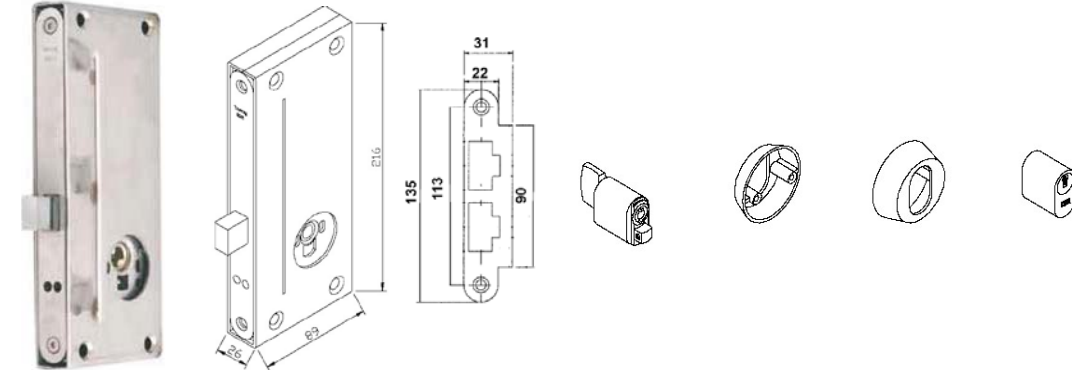
#11.SBET01. Complete Rim Mounted Sliding Box Lock. Lock and Box Satin Stainless Steel. Roses and Keyway Satin Chrome Plated.  
#11.SBET02. Complete Rim Mounted Sliding Box Lock. Lock and Box Polished Stainless Steel. Roses and Keyway Polished Chrome.

- All sets include: 1 keyway  with 2 keys and 1 thumb-turn  (Optional: 2 keyways, no thumb-turn)
- Specify door thickness when ordering.
- Specify left or right (see page 0-2 for handing)

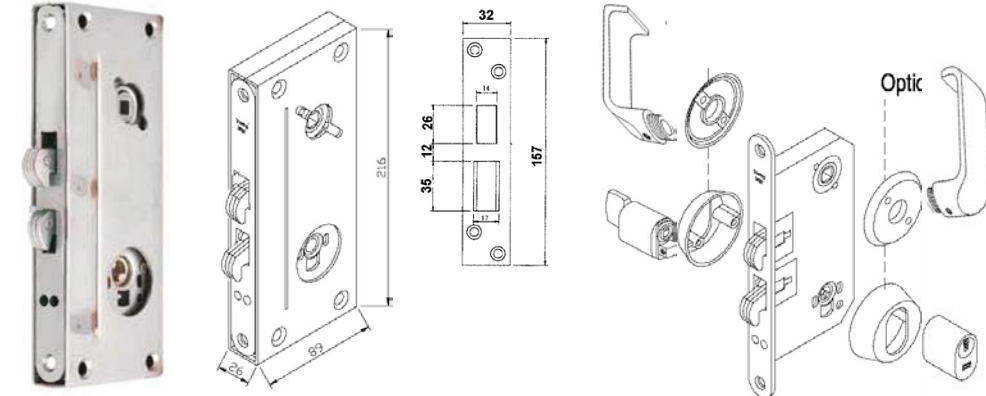
**UPGRADE TO YACHT TRIM: SEE PAGE 1-1-I**



#11.EBET01; Complete SET Rim Mounted Box Lock. Lock and Box Stainless steel. Roses and Levers Chrome Plated Brass.



#11.BDRT01. Complete SET Rim Mounted Box Lock. Lock and Box Stainless steel. Roses and Keyway Chrome Plated Brass.



#11.SBET01; Complete SET Rim Mounted Sliding Box Lock. Lock and Box Stainless steel. Roses and Keyway Chrome Plated Brass.

**MORTISE LOCKS AND LOCK BOX CASE PARTS SEPARATE**



#11.390 box only



#11.312 entry lock

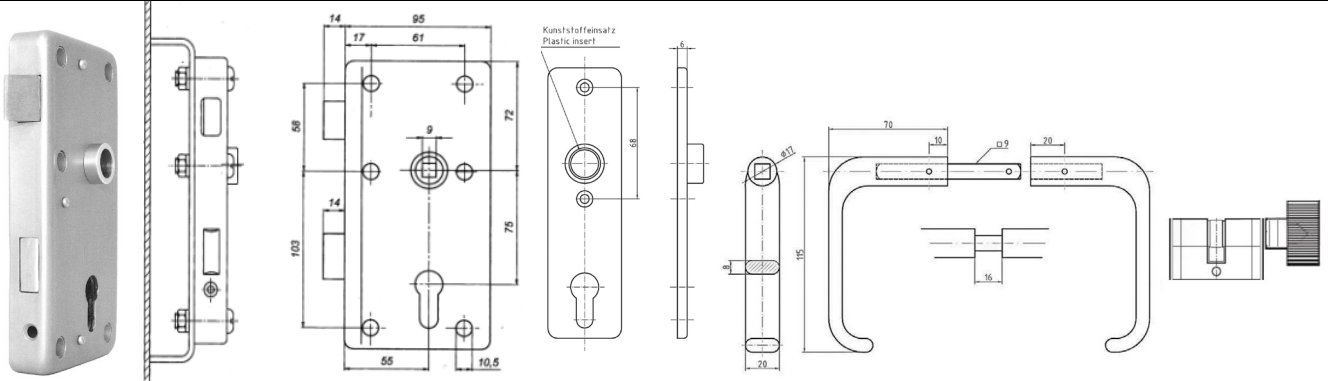
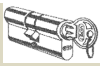


#11.382 sliding entry lock

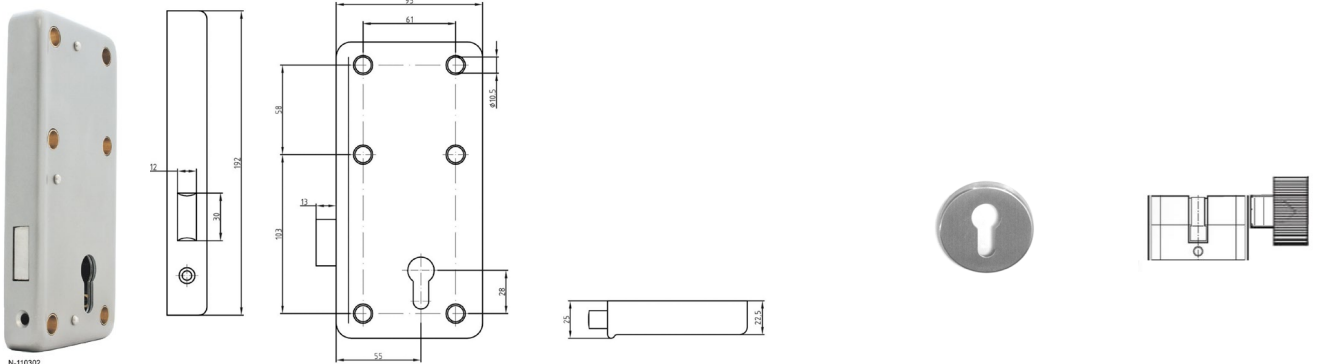


#11.341 dead bolt lock

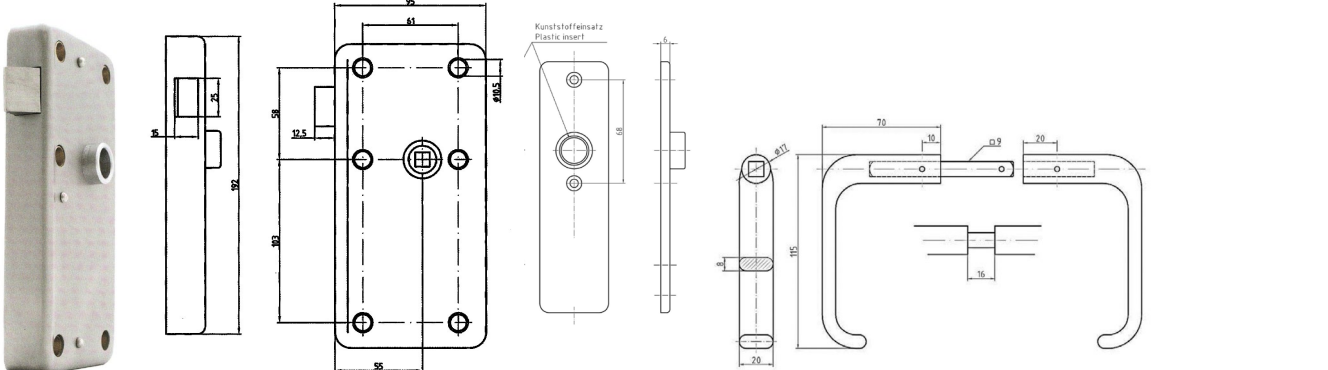




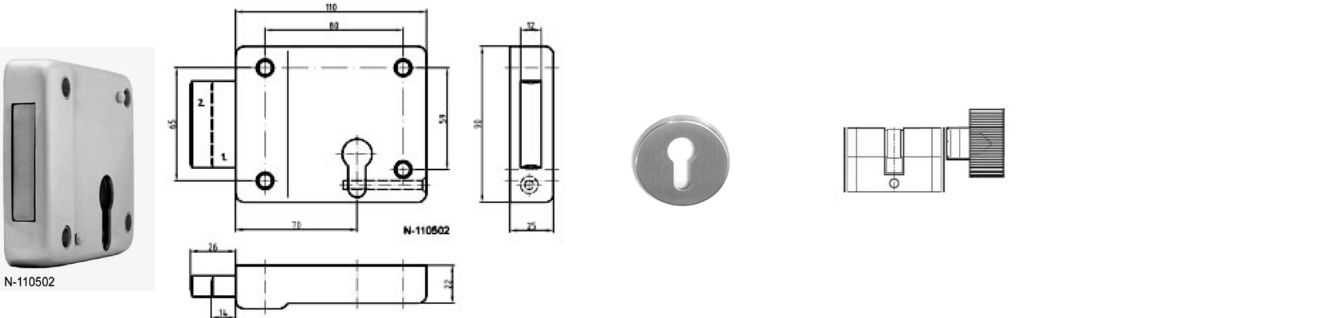
#13.27CZ Entry rim lock set complete; backset 55 mm



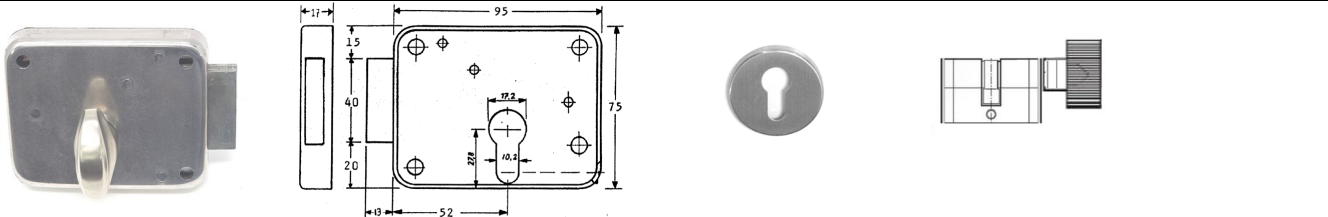
#13.27SZ Deadbolt rim lock set complete; backset 55 mm Convert this deadbolt rim lock with insert #22.755 to privacy function



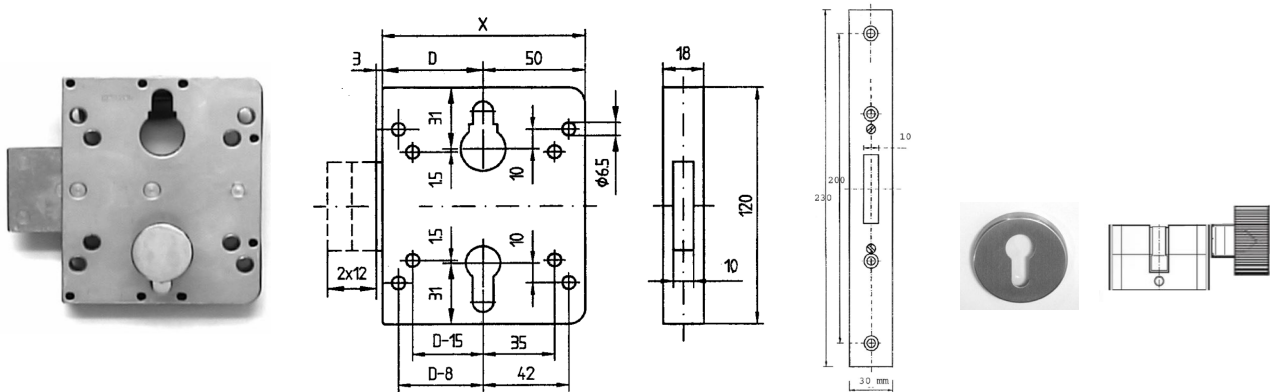
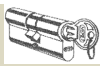
#13.27SF SET Passage rim latch complete; backset 55 mm



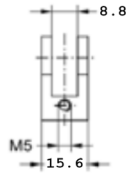
#11.50IS SET Deadbolt rim lock complete; Backset 75 mm 2 Throws: 14 mm + 12 mm = 26 mm Converts to Privacy Function



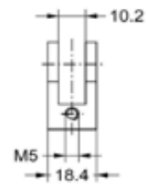
Rim lock #13.31SZ; SET Deadbolt rim lock complete. Backset 52 mm (2 inch). Shown with Privacy thumb-turn and insert #22.7000



Dead bolt lock #13.20Z. Backset: 50 mm. Backset available: 50, 60, 80, 100 mm; case 100 mm x 120 mm high. Double throw: 2 x 12 mm; 24 mm total. 304 stainless steel (front plate 230x30 optional, not included)

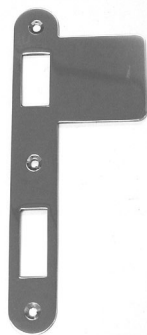


#22.7000 Profile Cylinder Insert

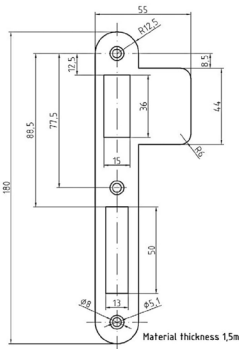


22.755 Profile Cylinder insert for double throw

Replaces profile cylinder keyway with thumb-turn

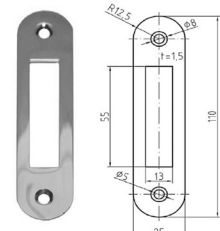


#14.231P



#14.626P

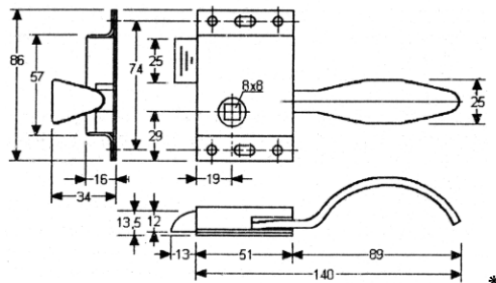
Please order strikes separate, not included in sets



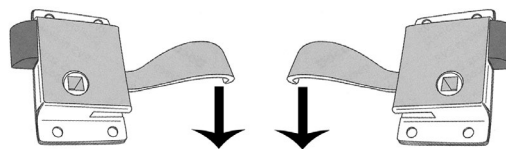
#13.230 strike plate



#15.255 R or L Single side or double side operating: Picture: Set with lever #18.740 with oval rose #18.087 and strike #43.142.

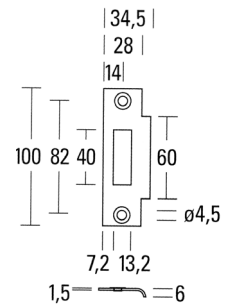


#15.255L Rim latch; Left Hand showing



Left Hand

Right Hand



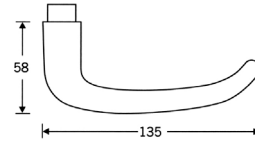
#43.142 strike plate



**Stainless steel levers for full size mortise marine locks Finish: satin or mirror polished stainless steel**

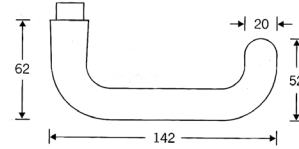
Izerwaren  
Order  
Numbers

12.527 Lever Classic; 135 mm long



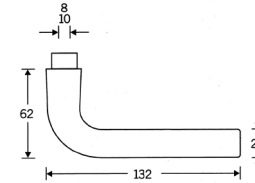
Lever Classic # 12.527; 135 mm long; stands off 58 mm  
Rose #12.110; 55 mm diameter

12.045 Lever U shape; 131 mm long



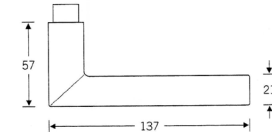
Lever #12.045; 142 mm long; stands off 64 mm; 20 mm diameter

12.547 Lever L shape; 132 mm long  
Round corner



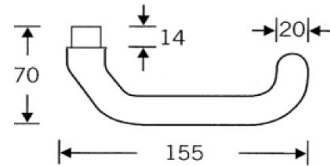
Lever #12.547; 132 mm long; stands off 64 mm; 20 mm diameter

12.576 Lever L shape; 132 mm long  
Square corner



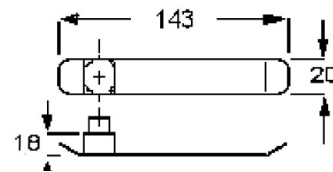
Lever #12.576; 137 mm long; stands off 57 mm; 20 mm diameter

12.021 Lever Cropped; 155 mm long



Lever #12.021; 155 mm long; stands off 56 mm; 20 mm diameter

12.53F Lever Semi Flush; 143 mm long



Lever #12.53F; 143 mm long; stands off 25 mm with standard plate; 20 mm wide

12.555 Lever Semi Flush; 120 mm long



Lever #12.555; 120 mm long; stands off 25 mm; 20 mm wide; Rounded front

12.329SF #12.329SF Thumb-turn 30 x 10 mm  
On rose #12.1005 flat  
Details on roses and escutcheons  
See page 1-2.



Lever #12.5SF; 95 mm long; stands off 25 mm with standard plate; 20 mm wide  
Use Lever Handles with Roses or Escutcheon Plates; See page 1-2 for details

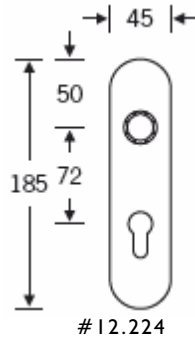
12.5SF Lever Semi Flush; 95 mm long



Izerwaren  
Order  
numbers

- Stainless Steel Escutcheons for marine locks
- Specify Finish:
- Satin stainless steel
- Mirror Polished stainless steel

12.224 **Stainless steel escutcheon plate**  
with radius, 185 x 45 x 7 mm  
Clip on style with inner escutcheon  
Screws invisible



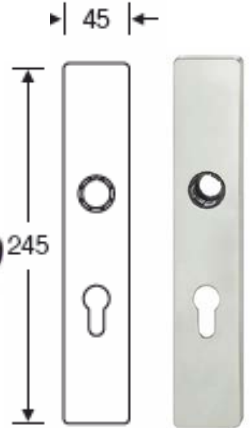
Escutcheon #12.224 45 x 185 mm  
Clip on style with inner plate  
stainless steel

12.222 **Stainless steel escutcheon plate**  
radius, 245 x 45 x 9 mm  
Clip on style with inner escutcheon  
Screws invisible



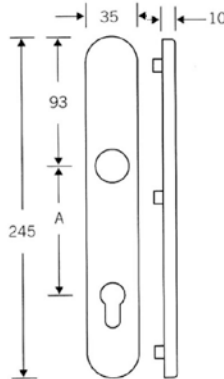
#12.222 round  
Stainless steel escutcheon clip on with inner plate  
Lever shown: #12.527 with Trioving keyway

12.1410 **Stainless steel escutcheon plate**  
square, 245 x 45 x 9 mm  
Clip on style with inner escutcheon  
Screws invisible



#12.1410 square

12.416 **Stainless steel escutcheon plate**  
with square corners, 245 x 35 x 10 mm  
Screws visible  
For Narrow Style Doors.  
See pages 1-9-1 and 1-14- and 1-14-A  
Cropped lever 12.021: See page 1-1-2



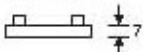
#12.416 escutcheon square corners  
#12.417 escutcheon round corners  
#12.021 levers, cropped; see page 1-1-2

12.417 **Stainless steel escutcheon plate**  
with radius, 245 x 35 x 10 mm  
Screws visible  
For Narrow Style Doors.  
See pages 1-9-1 and 1-14- and 1-14-A  
Cropped lever 12.021: See page 1-1-2

#12.417



12.110FS Flat stainless steel outer & inner rose and bearing



Lever Rose For Fire Rated Doors



#12.110F Rose for levers 55 mm Ø flat; nylon inner rose



#12.507 Oval Rose for lever 66.5 x 29.5 mm



#12.517 Oval Rose; for Profile Cylinder 66.5 mm x 29.5 mm



#12.111T Rose for Oval Cylinder; 55 mm Ø flat



#12.111ZF Rose for Profile Cylinder; 55 mm Ø flat



#13.329SF: Thumb-turn 30 x 10 mm with flat rose




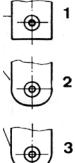
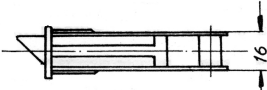
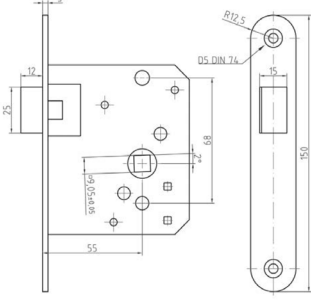

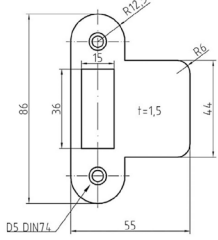
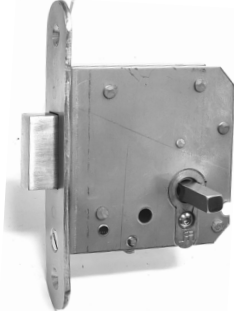
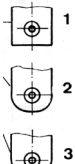
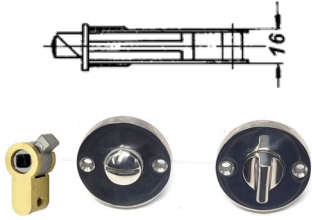
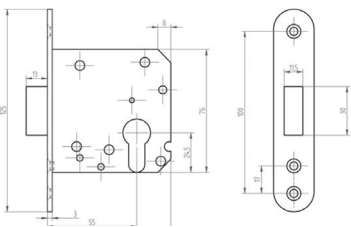

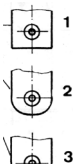
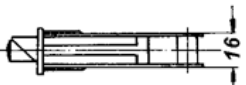
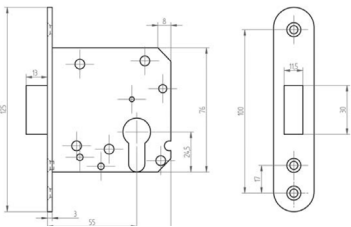
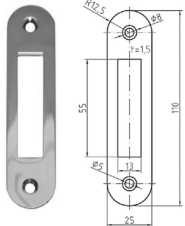
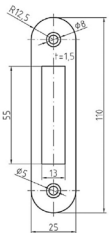
Order number	Material	Back set	Specifics	Finish
<p>escutcheon plate passage model round holes square holes</p>			<p>escutcheon plate mounting: through bolts with square female nut on outside, Philips head on inside</p>	
#14.109.266	Brass		Pair; one w. round holes, One w. square holes	Polished chrome
#14.109.508	Stainless Steel	55 mm	Pair; one w. round holes, One w. square holes	Satin stainless steel
#14.109.308	Stainless Steel	55 mm	Pair; one w. round holes, One w. square holes	Polished stainless steel
#14.108.508	Stainless Steel		Single; round holes	Satin stainless steel
#14.107.508	Stainless Steel		Single; square holes	Satin stainless steel
<p>nylon insert bearing for escutcheon plates escutcheon plate drawing showing installed nylon bearing</p>			<p>Thumb turn with 7 x 7 mm square stock for use with escutcheon #14.118.508</p>	<p>Through bolts, set, Stainless steel Indicate size For use with escutcheons</p>
#14.1TT	Thumb-turn		Single, 7 x 7 mm spindle	Satin chrome brass
#14.139	Nylon		Bearing for escutcheon each	nylon
#14.149	Through bolts		Set, male-female ,	Stainless steel
<p>lever set with stainless steel spindle</p>			<p>lever set #14.999 #14.99A EXTENDED</p>	
#14.999.508	stainless steel		Lever handle set satin stainless steel	
#14.999.308	stainless steel		Lever handle set polished stainless steel	
#14.99A.508	stainless steel		Lever handle set satin stainless steel for rim locks	
#14.99A.308	stainless steel		Lever handle set polished stainless steel for rim locks	
<p>Brass lever set with stainless steel spindle</p>			<p>Griffdrückerpaar für Einsteckschlösser Door handle set for mortise locks Abb. Türstärke 28-50mm Pic.: Door thickness 28-50mm</p> <p>lever set #14.310 with 8 x 8 mm or 9x9 mm square spindle</p>	
#14.3101	Chrome plated brass		Lever handle "sable" set polished chrome plated brass	
#14.310	Brass		Lever handle "sable" brass polished	



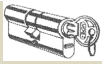


Order number	Material	Back set	Specifics	Finish
<p>escutcheon plate entry model round holes square holes</p>				
#14.129.508	Stainless Steel		Pair; one round holes, one square holes	Satin stainless steel
#14.129.308	Stainless Steel		Pair; one round holes, one square holes	Polished stainless steel
#14.128.508	Stainless Steel		Single; round holes	Satin stainless steel
#14.127.508	Stainless Steel		Single; square holes	Satin stainless steel
<p>escutcheon plate privacy model round holes / square holes</p>				
#14.119.508	Stainless Steel		Pair; one round holes, one square holes	Satin stainless steel
#14.119.308	Stainless Steel		Pair; one round holes, one square holes	Polished stainless steel
#14.118.508	Stainless Steel		Single; round holes With thumb-turn attached	Satin stainless steel
#14.117.508	Stainless Steel		Single; square holes With red/green indicator	Satin stainless steel
#14.117.308	Stainless Steel		Single; square holes With red/green indicator	Polished stainless steel
#14.116.508	Stainless Steel		Single; square holes With slotted indicator	Satin stainless steel
#14.116.308	Stainless Steel		Single; square holes With slotted indicator	Polished stainless steel
05.599.608	PC cover 3 mm	Stainless steel	Overall sizes: 29 x 58 x 12 mm	
05.5991.608	PC cover 8 mm	Stainless steel	Overall sizes: 29 x 58 x 17 mm	



Order number	Material	Backset	Specifics	Finish
		 <p>standard is round corners; specify square or 3/8" radius otherwise</p>	 <p>Thickness lock case 5/8" or 15 mm</p>	
14.220	Stainless Steel	55 mm	Latch uses 9x9 mm spindle	Satin or Polished Stainless steel
				
14.251	Brass		Strike plate passage lip 29 mm	Chrome plate brass
14.2511	Brass		Strike plate passage lip cut and bend 17 mm	Chrome plate brass
		 <p>standard is round corners; specify square or 3/8" radius otherwise</p>	 <p>Insert #22.7000 with rose #16.954 thumb-turn #16.90W and indicator #16.91W</p>	
14.17W	Stainless steel	55 mm	Works with Thumb-turn	Satin or Polished Stainless steel
		 <p>standard is round corners; specify square or 3/8" radius otherwise</p>		
14.17Z	Stainless steel	55 mm	Works with Profile Cylinder	Satin or Polished Stainless steel
				
14.241	Brass		Strike plate dead bolt	Polished Lacquered brass
14.2411	Brass		Strike plate dead bolt	Chrome plate brass





Izerwaren  
Order  
Numbers

Brass rim lock, backset 37 mm - 1 1/2"  
BPC polished chrome plated brass only

15.656

**Entry Rim dead bolt lock**  
with round cylinder. For 3/4" thick doors

15.837

**Strike Box**  
**Strike Plate**

15.656S

15.452

**Rim Latch for knobs**  
**Backset 1 1/2"**

15.837

**Strike box separate**  
**Strike plate separate**

15.656S



#15.656 Deadbolt rim lock  
Backset 1 1/2" Cylinder Key/knob  
For 1" door thickness.



Rim Latch #15.452; Backset 1 1/2"  
Strike box separate #15.837  
Strike plate separate: #15656S  
For 8 x 8 mm spindle / knobs or levers

15.475

**Entry Rim Lock with cylinder key**  
For 1" thick doors  
For 8 x 8 mm spindle /door lever handles

15.842

**Strike Box**  
**Strike Plate**

15.484S



Entry Rim Lock #15.475 for 1" doors  
Entry rim lock #15.4735 for 1 1/4" doors  
backset 1 1/2" Cylinder Key/Knob  
Strike box separate #15.842  
Strike plate separate: #15484S

15.4735

**Entry Rim Lock with cylinder key**  
For 1 1/4" thick doors  
For 8 x 8 mm spindle /door lever handles

15.026

**Privacy Rim Lock**  
8 x 8 mm spindle for lever handles  
Thumb/turn

15.842

**Strike Box**  
**Strike Plate**

15.484S



Privacy Rim Lock #15.026 backset 1 1/2"  
Strike box separate #15.842  
Strike plate separate: #15484S  
Suitable trim:

15.71Z

**Dead Bolt Rim Lock**  
w. round cylinder 25 mm back set  
Case: 60 mm x 78 mm x 12 mm thick

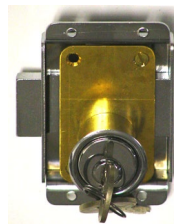
05.522

**Round cylinders** series #690;  
23 diameter x 20 / 25 / 30 mm long  
Specify door thickness

15.924

**Strike Box**

Other Suitable trim:



Dead bolt Rim Lock #15.71Z  
Backset: 25 mm



3485

3818

#16.087 Knob, Rose #16.924

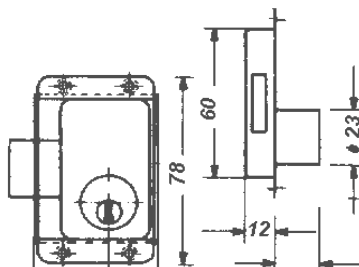


#18.740 Lever, Rose #16.924



#16.012 Thumb-turn, Rose #16.924

See page I-10 for more trim set



Dead bolt Rim Lock #15.71Z  
25 mm backset  
For 3/4"; 1" and 1 1/8" door thickness



3819

3840

See page I-13-C for details

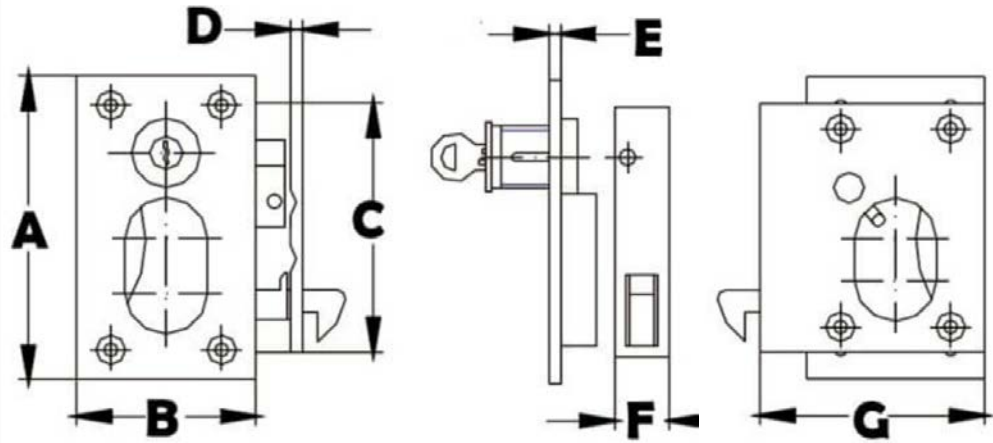


Outside US Left Hand with Key Lock  
#16.1786L Entry Pocket door lock Left Hand Outside Set  
#16.179L Passage Pocket door latch US left hand side

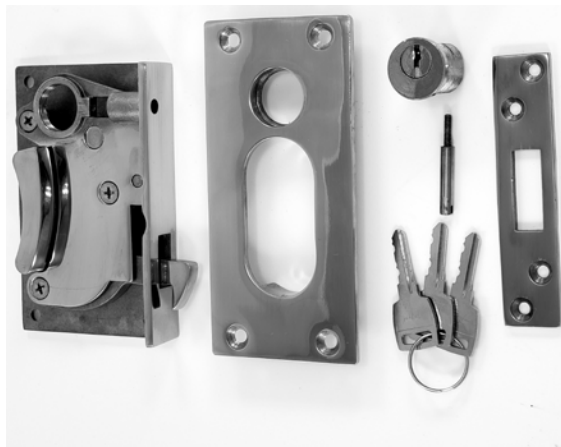
mm

Inside US Left Hand with release lever

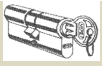
**Polished Stainless Steel Minimum Doorthickness: 1 1/4 inch or 32 mm**



Showing Left Hand Outside Locking #16.1786L Right hand: #16.1786R  
A) 5-1/16" B) 2-7/16" C) 4-3/8" D) 5/32" E) 1/8" F) 3/4" G) 3"



All Parts Showing



Izerwaren  
Order  
Numbers

- Brass rim lock, backset 30 mm - 1 3/16"
  - Minimum door thickness 10 mm - 3/8"
  - Specify door thickness when ordering
- Finish: Chrome plated brass



#17.979Z - #17.928Z  
Rimlock 30 mm backset with keyway  
Specify door thickness when ordering.

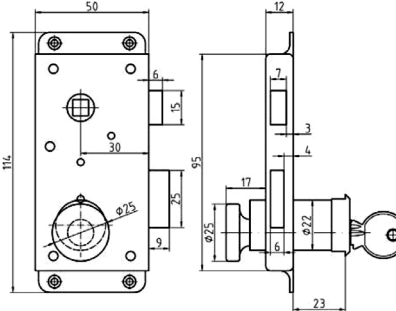


#17.7467  
Entry trim set  
For Cylinder Keyway  
outside

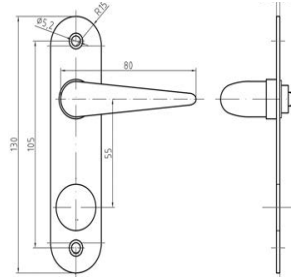
17.928Z **17.928Z entry lock**  
with cylinder key and thumb-turn inside  
Center spindle hole to center key hole: 55 mm  
Case: 50 mm x 104 mm x 12 mm thick  
For 7 x 7 mm spindle

17.979Z **17.979Z entry lock** with cylinder key only  
Center spindle hole to center key hole: 55 mm  
Case: 50 mm x 114 mm x 12 mm thick  
For 7 x 7 mm spindle on the lever

17.7467 **Entry Trim plate and Lever** for outside



#17.928Z Rim lock; keyway / thumb-turn

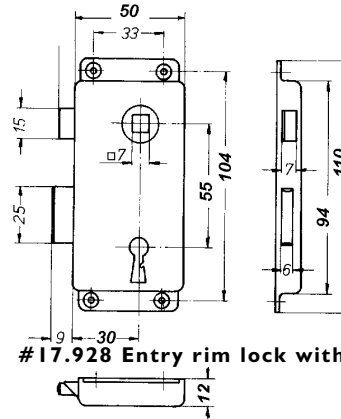


#17.7467 trim for keyway  
outside



#17.928 + #12.68K

17.928 **Entry Rim Lock with skeleton key**  
Center spindle hole to center key hole: 55 mm  
Case: 50 mm x 104 mm x 12 mm thick  
For 7 x 7 mm spindle



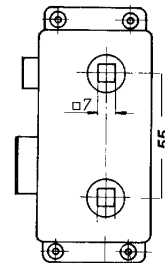
#17.928 Entry rim lock with bit key



Entry Trim #12.68K  
Outside

12.68K **Entry Trim plate and Lever**  
For skeleton key outside

17.92W **Privacy Rim Lock**  
Center spindle hole to center key hole: 55 mm  
Case: 50 mm x 104 mm x 12 mm thick  
For 7 x 7 mm spindle



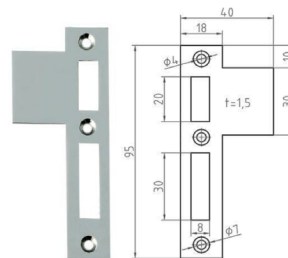
Privacy rim lock #17.92W



Privacy #12.68W trim  
Outside

18.90B **Strike Plate**

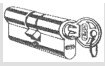
12.969 **Escutcheon with knob**  
Passage model only



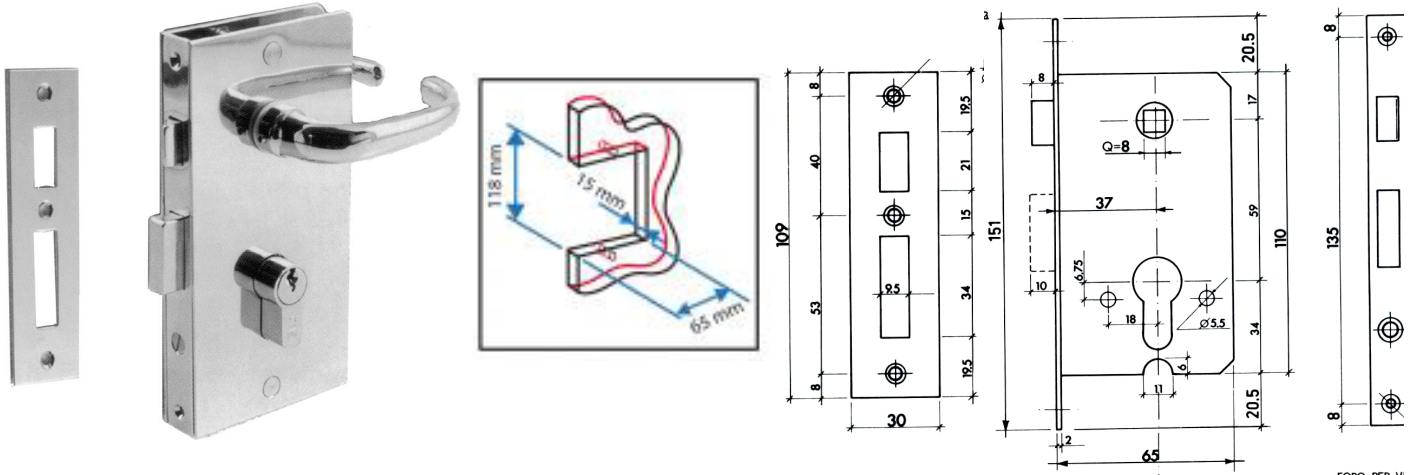
#18.90B strike plate



#12.969 Plate with knob  
Passage model only



**R & C SWINGING DOOR LOCKS FOR PLEXIGLASS DOORS AND DOORS WITH CUTOUTS.  
MINIMUM DOOR THICKNESS 5/8 INCH**

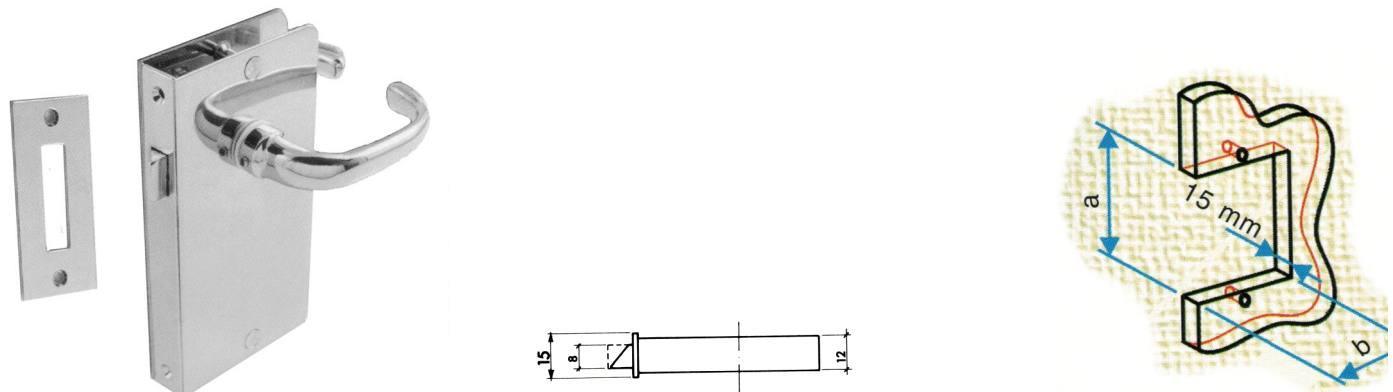


FORO PER VITE  
Hole for Screws

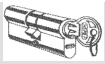
**18.348330 ENTRY SET WITH COVER PLATES** for PLEXIGASS AND WOODEN DOOR WITH CUTOUTS  
with cover plates and levers; Entry Lock; 37 mm (1 1/2) backset.  
Cover plate: 70 W x 150 H x 1.5 mm; Lock case: 110 high x 65 wide x 12 mm thick. Center to Center PC: 59 mm  
Cut out: Distance "a": 118 mm; Distance "b": 65 mm  
Marine grade; stainless steel and brass chrome plated parts.



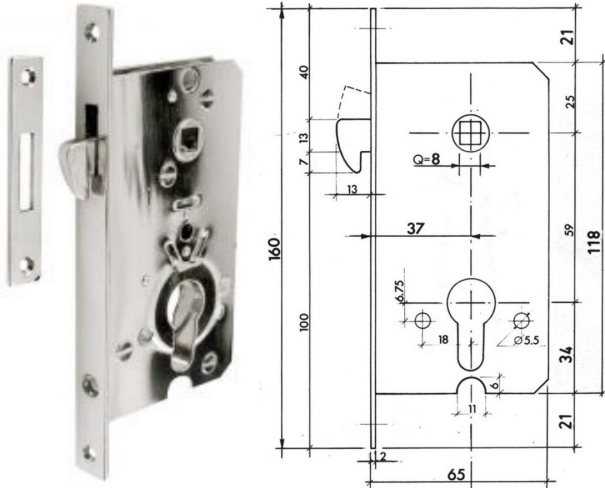
#18.4020 + #18.3485      #18.4020 + lever #15.0026      Lever #15.00076      101 mm high x 65 mm wide  
**18.4020 PASSAGE SET;** for PLEXIGASS AND WOODEN DOOR WITH CUTOUTS. 37 mm (1 1/2 inch) backset.  
Mechanism comes with cover plates and levers.  
Cover plate: 70 W x 80 H x 1.5 mm; Lock case: 12 mm thick.  
Cut out: Distance "a": 101 mm; Distance "b": 65 mm; Material thickness: 15 mm (5/8 inch)  
Marine grade; stainless steel and brass chrome plated parts.  
2<sup>nd</sup> Picture shows Latch with lever #15.0026 (see Regutti Decorative Brochure)  
Alternative: lever #15.0076 (see Regutti Decorative Brochure)



**18.4019 PASSAGE SET;** for PLEXIGASS AND WOODEN DOOR WITH CUTOUTS. 37 mm (1 1/2) backset.  
with cover plates and levers. Cover plate: 70 W x 132 H x 1.5 mm; Lock case: 12 mm thick.  
Cutout: Distance "a": 50 mm; Distance "b": 65 mm.  
Marine grade; stainless steel and brass chrome plated parts.

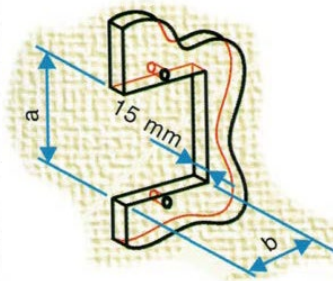
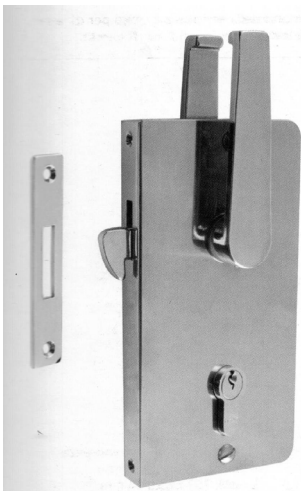


**R & C SWINGING DOOR LOCKS FOR SMALL DOORS MINIMUM DOOR THICKNESS 1 INCH**



#18.3487 Entry Sliding Door Lock for use with Profile Key Cylinder Entry Sliding Door Lock; 37 mm (1 1/2) backset. Face plate: 160 x 15 x 2 mm; Lock case: 118 high x 65 wide x 12 mm thick. Center to Center PC: 59 mm Marine grade; stainless steel and brass chrome plated parts.

#18.3797 Entry Lock Skeleton Key Privacy Lock #18.9750 Sliding Door Lock; 37 mm (1 1/2) backset. Face plate: 160 x 15 x 2 mm; Lock case: 118 high x 65 wide x 12 mm thick. Center to Center PC: 59 mm Marine grade; stainless steel and brass chrome plated parts.



18.348730 Pocket Entry SET complete for 5/8" thick doors with Profile cylinder Keyway function



18.379730 Pocket Entry SET complete for 5/8" thick doors with Skeleton Key function

Trim parts: Levers, Escutcheons



Levers #18.3828



3485 Levers 18.3485



3818 #18.3818



3819 #18.3819



3840 #18.3840